



**Note!**

Please note that there can be small differences between your product and the images in these instructions.

**Note!**

Please note that during storage and transport, especially at high ambient temperature, some of the oil and grease used for assembly may leak and stain the packaging. This will not cause damage to the product, wipe off the excessive oil or grease with a cloth.

**Kit Contents**

	Description	Part No	Pcs
1	Shock abs. left/right Rear	POF 6R10	1
2	Sticker	00192-01	1
3	Sticker	00197-02	1
4	Spring support	05193-07	1
5	Lock nut	05359-01	1
6	Spacer	05688-04	1
7	Spring seat, upper	06211-01	1
8	Owner's manual	07446-01	1

**Note!**

Before you install this product, check the kit contents. If anything is missing, please contact an Öhlins dealer.

**Warning!**

Before you install this product, read the Öhlins Owner's manual. This product is an important part of the vehicle and the vehicle stability.

**Note!**

If the vehicle is equipped with OEM electronic shock absorbers, use Öhlins cancellation kit to avoid error codes. For more information and part number, please visit [www.ohlins.com](http://www.ohlins.com) or contact an Öhlins dealer.

**Shock Absorber for Porsche 981 Cayman GT4/GT4 CS rear**

***POF 6R10***

**Mounting Instructions**



# MOUNTING INSTRUCTIONS

## **⚠ Warning!**

*We strongly recommend to let an Öhlins dealer install this product.*

## **⚠ Warning!**

*If you work with a lifted vehicle, make sure that it is safely supported to prevent it from tipping over.*

## **👁 Note!**

*When you work with this product, see the vehicle service manual for vehicle specific procedures and important data.*

## **👁 Note!**

*Before you install this product clean the vehicle.*

**1**

Remove the wheel.

**2**

Remove brake caliper from hub according to vehicle workshop manual. Support the caliper so that it does not tug at the brake line.

**3**

Support hub from below. Untighten the three top mount nuts.

**4**

Remove hub, wishbones and drive shaft according to vehicle workshop manual.

**5**

Remove OE damper from hub when the hub is off the car.

**6**

Use spring compressors to preload the spring and then remove the centre top nut of the top mount.

**7**

Put together the OE top mount, top mount spacer (05688-04) and Öhlins top spring seat (06211-01) with the Öhlins supplied main spring, support spring platform (05193-07) and helper spring.

**8**

Thread the spring package over the damper, together with the OE top mount.

**9**

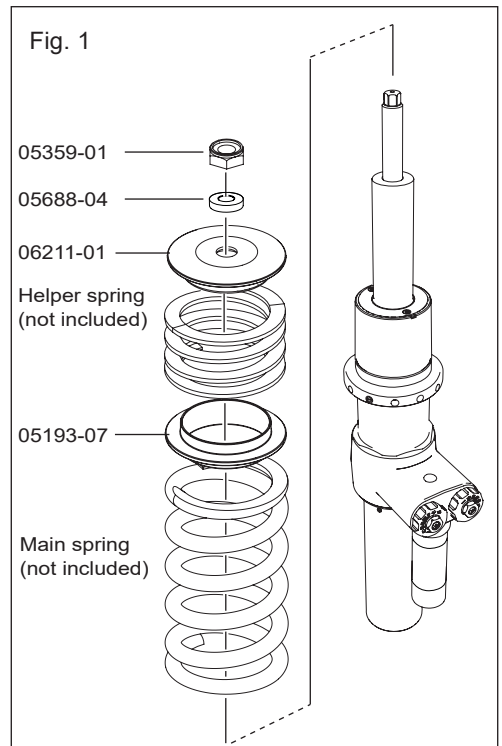
Attach the top nut (05359-01) to the top pin and tighten.

**10**

Install the Öhlins shock absorber in the upright, with the reservoir bracket pointing towards the rear.

**11**

Install the hub, wishbones, driveshaft and brake caliper again according to the vehicle workshop manual.



# MOUNTING INSTRUCTIONS

## 12

Attach and tighten the three top mount attachment nuts.

### **Note!**

*Make sure the lower edge of the spring support (05193-07) is facing the helper spring. See fig 2.*

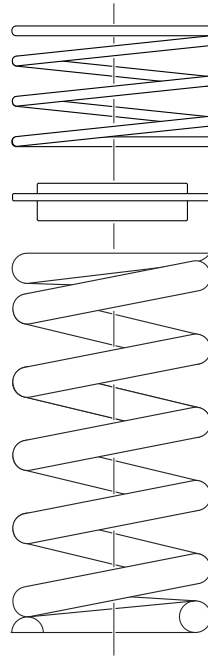
## 13

After installing all shock absorbers (front and rear), check the vehicle ride height. If necessary, adjust the ride height with spring preload. See Adjustments on the next page for recommended spring adjustment platform positions.

### **Caution!**

*Make sure that all bolts are tightened to the correct torque and that there are no binds and that nothing restricts movement of the shock absorber when the suspension is being fully compressed or extended.*

Fig. 2



# ADJUSTMENTS

## ⚠ Warning!

Before you ride/drive, always make sure that the setup is according to the recommended setup data. Read about adjustments and setting up in the Öhlins Owner's Manual before you make any adjustments. Contact an Öhlins dealer if you have any questions about setting up.

## SETUP DATA

Compression damping			
Street:	20		clicks
Track:	15		clicks
Rebound damping			
Street:	15		clicks
Track:	15		clicks

### Recommended Springs

#### Main Spring (140 mm long, 60 mm ID)

Car model	N/mm	Öhlins#	Eibach#
981 Cayman GT4:	120	48140-21	ERS 140-60-120
981 Cayman GT4 CS:	140	48140-25	ERS 140-60-140

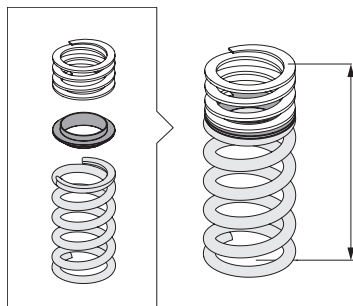
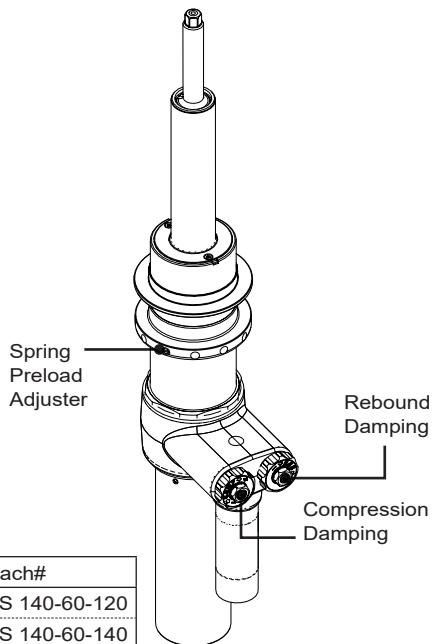
#### Helper spring

Car model	Öhlins#	Eibach#
981 Cayman GT4/GT4 CS:	05173-17	ERS-40-60-20

#### Recommended installed spring package length

981 Cayman GT4/GT4 CS:	170	mm
------------------------	-----	----

Measured from upper edge of helper spring to lower edge of main spring as illustrated to the right. Adjust the installed spring package length to adjust the ride height.



Öhlins products are subject to continuous improvement and development, therefore, although these instructions include the most up-to-date information available at the time of printing, minor updates may occur.

To find the latest information contact an Öhlins distributor. Please contact Öhlins if you have any questions regarding the contents in this document.

Part no. MI\_POF 6R10\_3  
Issued 2017-03-28  
Updated: 2018-06-14

© Öhlins Racing AB. All rights reserved. Any reprinting or unauthorized use without the written permission of Öhlins Racing AB is prohibited.

Öhlins Racing AB  
Box 722  
S-194 27 Upplands Väsby, Sweden  
Phone +46 8 590 025 00  
fax +46 8 590 025 80



[www.ohlins.com](http://www.ohlins.com)