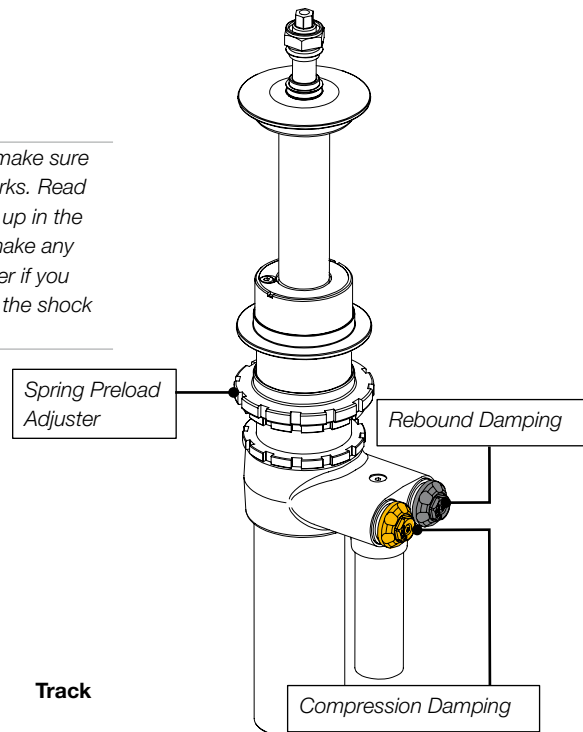


# Adjustments

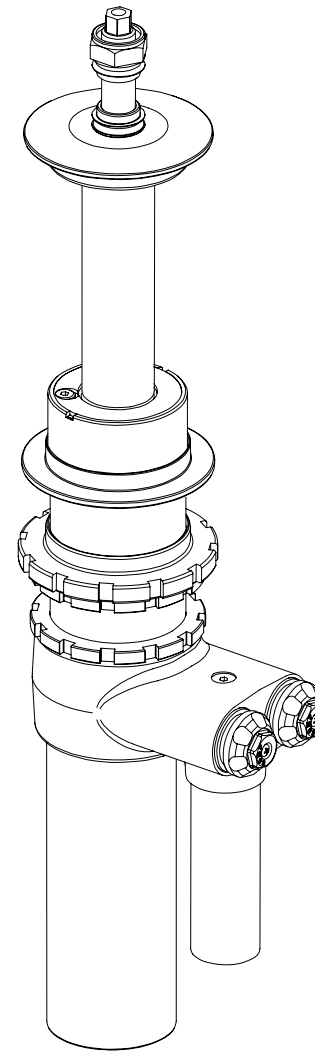
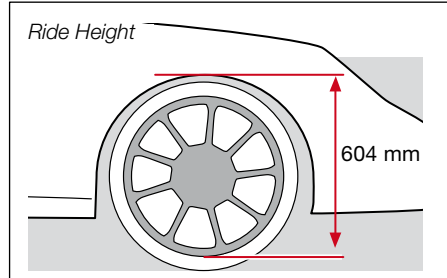
## ⚠ Warning!

Before driving the vehicle, read and make sure you understand how the product works. Read more about adjustments and setting up in the Öhlins Owner's Manual before you make any adjustments. Contact an Öhlins dealer if you have any questions about setting up the shock absorber.



# Set-up Data

	Street	Track
<b>Street</b>		
Compression damping	12 clicks	9 clicks
Rebound damping	18 clicks	18 clicks
<b>Provided Springs</b>		
<b>Main Spring</b>		
Spring Rate	120 N/mm	
Free length	150 mm	
ID	61 mm	
<b>Helper Spring</b>		
ID	61 mm	



Before installing this product, check the contents of the kit. If anything is missing, please contact an Öhlins dealer.

Kit Contents	Part No.	Pcs.
Shock abs. left/right front	POF 5J01	1
Sticker	00192-01	1
Washer	00426-01	1
Helper spring	05173-12	1
Main spring	25039-12	1
Heat shrinkable end cap	25042-01	1
Spring support	05193-07	1
Lock nut	05359-01	1
Spacer	05688-02	2
Spring seat, upper	06211-01	1
Owner's manual	07446-01	1

Please note that during storage and transportation, especially at high ambient temperature, some of the oil and grease used for assembling may leak and stain the packaging. This is in no way detrimental to the product, wipe off the excess oil/grease with a cloth.

## ⚠ Warning!

Before installing this product, read the Öhlins Owner's Manual. The shock absorber is an important part of your vehicle and will affect the stability.

Öhlins products are subject to continuous improvement and development, therefore, although these instructions include the most up-to-date information available at the time of printing, minor updates may occur.

To find the latest information contact your Öhlins distributor. Please consult your Öhlins dealer if you have any questions regarding the contents in this document.

Part no. POF5J01\_0  
Issued 2010-06-10



# Shock Absorber for Porsche 997 GT3 RS - front

# POF5J01

## Mounting Instructions

© Öhlins Racing AB. All rights reserved. Any reprinting or unauthorized use without the written permission of Öhlins Racing AB is prohibited.

Öhlins Racing AB  
Box 722  
S-194 27 Upplands Väsby, Sweden  
Phone +46 8 590 025 00  
fax +46 8 590 025 80



[www.ohlins.com](http://www.ohlins.com)



## ⚠ Warning!

It is advisable to have an Öhlins dealer install the shock absorber.

⚠ When installing, read the Vehicle Service Manual.

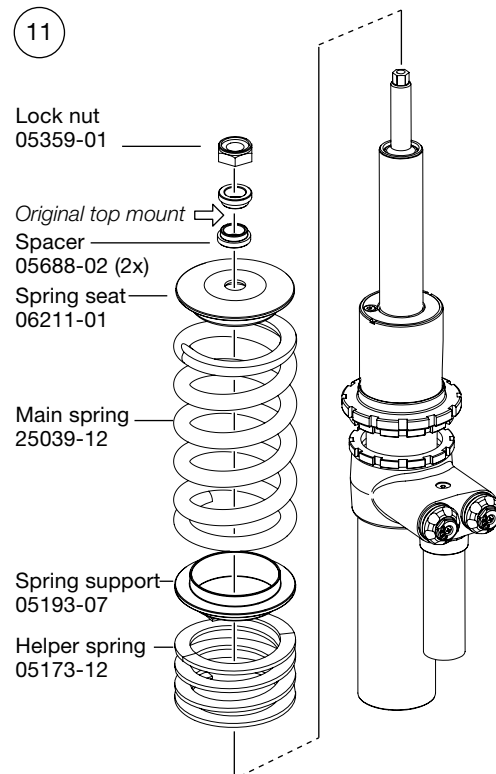
⚠ When working on a raised vehicle, ensure that the vehicle is securely supported so that it will not tip.

## 👁 Note!

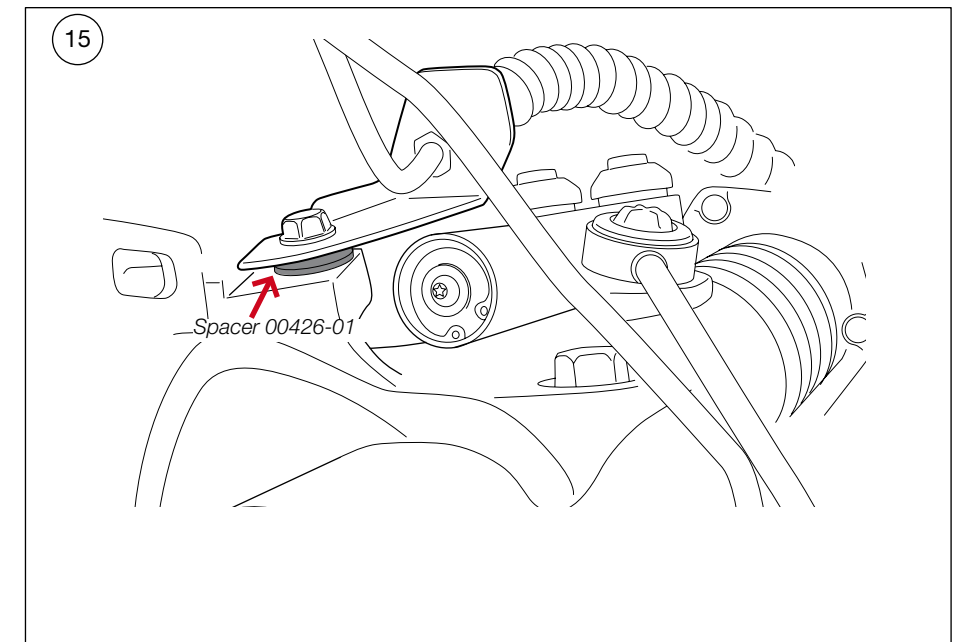
To make the following procedure easier, we recommend you to perform the following steps on **both sides** at the same time.

- 1 Remove the wheel.
- 2 Remove the anti-roll bar link at the lower joint.
- 3 Remove the brake hose attachment.
- 4 Disconnect the PASM wire to the shock absorber. The wire is located at the lower end of the original shock absorber.
- 5 Remove the brake caliper and support it so that the brake hose can not be damaged, for instance by hanging it on a piece of bent welding rod.
- 6 Remove the standard strut. First loosen the upper mount (three nuts). Remove the upper mount from the strut.
- 7 Loosen the lower attachment bolts to the original shock absorber.
- 8 Push the shock absorber and A-arm down to enable the shock absorber to be angled outward without it hitting the fender.

- 9 Remove the shock absorber by pulling it out of the upright bracket.
- 10 Install the springs and provided parts on the shock absorber according to figure 11.
- 11 Install the Öhlins shock absorber in the upright bracket with the reservoir bracket pointing towards the rear.
- 12 Angle the shock absorber in under the fenders.
- 13 Tighten the upper attachment nut.



- 14 Reattach the anti-roll bar link.
- 15 Install spacer 00426-01, provided in this kit, to achieve more space against the reservoir tube. See figure. Reattach the brake hose.
- 16 Reattach the wheel speed sensor harness.
- 17 Reattach the brake caliper.
- 18 Reinstall the wheel.
- 19 Carefully shrink the heat shrinkable end cap over the PASM connector to protect it.



## 👁 Note!

Since the original shock absorber and electric wire is disconnected there will be an error indication on the dashboard "PASM failure". Please contact a Porsche dealer to have the message turned off.

## 20

After installing all shock absorbers (front and rear), check the vehicle ride height. If necessary, adjust (See section Spring Preload in the Öhlins Owner's Manual. Consult the vehicle service manual for recommended ride height.

## 👉 Caution!

Make sure that all bolts are tightened to the correct torque and that there are no binds and that nothing restricts movement of the shock absorber when the suspension is being fully compressed or extended.