

Kit Contents

Description	Part No	Pcs
EDC module - fr	35021-01	1
EDC module - fl	35021-02	1
EDC module - r	35021-03	2
Sticker Öhlins	00191-37	4
Tie rap	00430-04	8
Screw M5x16	01046-18	4
Screw M5x22	01046-26	4
Reservoir bracket	05378-20	4
Bracket	25614-01	1
Screw self drilling	25615-01	4

👁 Note!

Please note that this image is a general representation of the product and may differ slightly from your product.

👁 Note!

Before installing this product, check the contents of the kit. If anything is missing, please contact an Öhlins dealer.

BMW M3 E9X EDC Cancellation Kit

35020-01

Mounting Instructions

MOUNTING INSTRUCTIONS

⚠ Warning!

It is advisable to have an Öhlins dealer install the EDC Cancellation Kit.

⚠ Warning!

If working on a raised vehicle, ensure it is securely supported.

Front

1

Engine off. Remove the battery positive terminal.

2

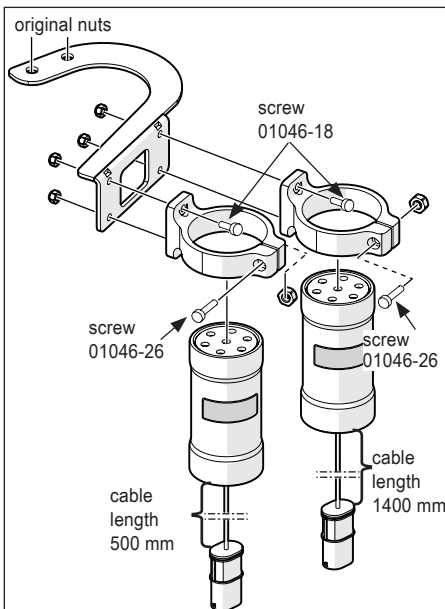
Disconnect the BMW connection from the shock absorber.

3

Remove the two dome strut nuts.

4

Assemble the EDC Cancellation Kit according to the figure. Clamp the reservoir bracket around the bulging part of the reservoir. Place the heat resistant stickers (00191-37) on the reservoirs.



5

Install the assembled kit on the dome strut with the two original nuts.

👉 Caution!

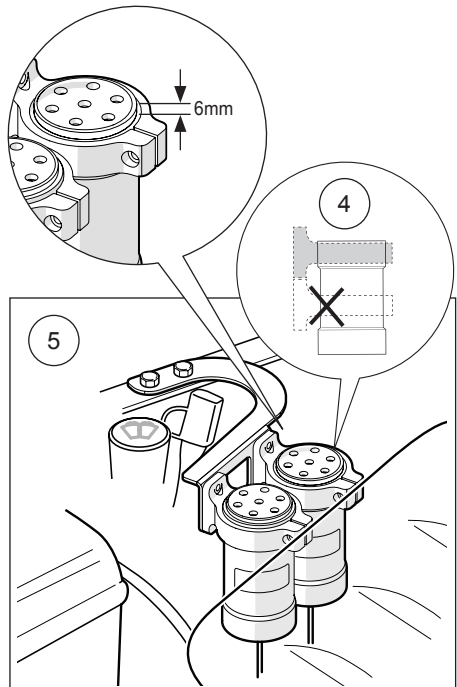
Install the reservoir so that there is no, or minimum possible, cable movement. Make sure there are no strains to the cable for maximum range of suspension travel and wheel angles. Make sure that the cables are not close to any hot surfaces or sharp edges.

6

Route the cables, make sure that they run in soft bends and that they are not close to hot surfaces, fixate with the tie raps provided in the kit. Coil up residual cable and make sure it is placed at an appropriate place.

7

Connect the Öhlins EDC modules to the BMW shock connector.



MOUNTING INSTRUCTIONS

Rear

1

Remove rear trunk carpeting.

2

Disconnect the BMW connection from the shock absorbers.

3

Install the module in the bracket temporarily. Locate where to attach the module and bracket and mark this position. Ensure that the chosen position is a secure place with double sheeted metal with enough space for the penetrating screw tip.

Caution!

Make sure that the module is at least 40 mm from any surface sensitive to heat.

4

Fasten the bracket with the self drilling flench screw to the marked location.

5

Install the module in the bracket. Use screw (01046-26) and nut (00430-04) provided in this kit. Place the heat resistant stickers (00191-37) on the reservoirs.

Caution!

Install the module so that there is no, or minimum possible, cable movement. Make sure there are no strains to the cable for maximum range of suspension travel and wheel angles. Make sure that the cables are not close to any hot surfaces or sharp edges.

6

Route the cables, make sure that they run in soft bends and that they are not close to hot surfaces, fixate with the tie raps provided in the kit. Coil up residual cable and make sure it is placed at an appropriate place.

7

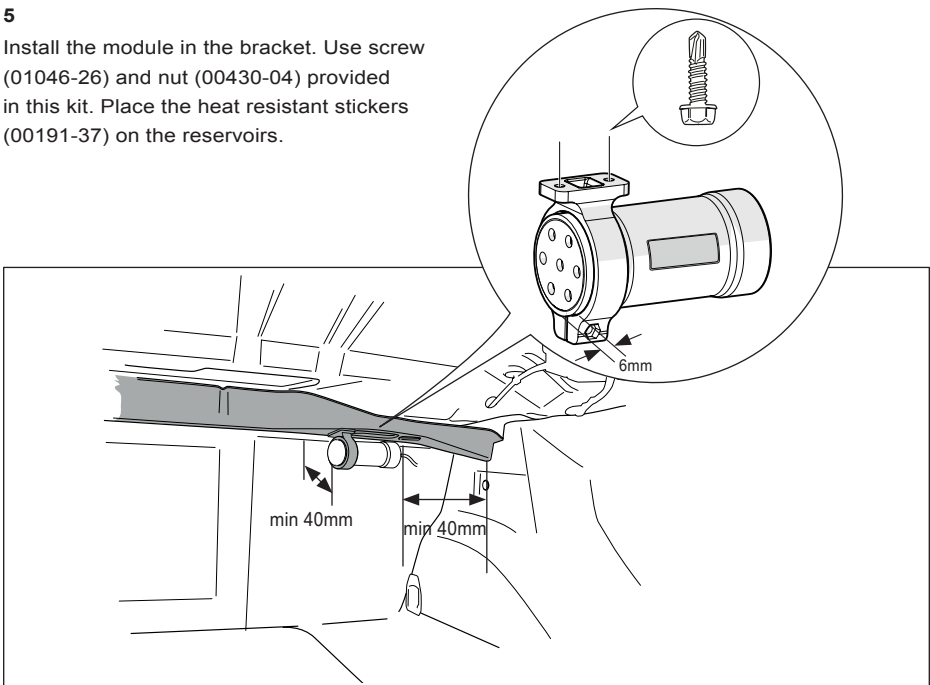
Connect the Öhlins EDC modules to the BMW shock connector.

8

Reinstall the rear trunk carpeting.

9

Reconnect the battery positive terminal.



👁️ Öhlins products are subject to continuous improvement and development, therefore, although these instructions include the most up-to-date information available at the time of printing, minor updates may occur.

To find the latest information contact an Öhlins distributor. Please contact Öhlins if you have any questions regarding the contents in this document.

Part no. MI_35020-01_0
Issued 2013-06-26



© Öhlins Racing AB. All rights reserved. Any reprinting or unauthorized use without the written permission of Öhlins Racing AB is prohibited.

Öhlins Racing AB
Box 722
S-194 27 Upplands Väsby, Sweden
Phone +46 8 590 025 00
fax +46 8 590 025 80



www.ohlins.com