

Note!

Please note that this image is a general representation of the product and may differ slightly from your product.

Note!

Please note that during storage and transportation, especially at high ambient temperature, some of the oil and grease used for assembling may leak and stain the packaging. This is in no way detrimental to the product, wipe off the excessive oil/grease with a cloth.

Note!

Before installing this product, check the contents of the kit. If anything is missing, please check an Öhlins dealer.

Kit Contents

Description	Part No	Pcs
Shock absorber	ZO 433	2
Bolt M10x1.25-40	00432-15	2
Washer 10.5/20/2	60426-01	3
Tool preload adjuster	03199-03	1
Sticker set "ÖHLINS"	10207-01	1
Owners manual	07241-02	1

Alternative spring

Spring 46/200	66520-016	2
---------------	-----------	---

Warning!

Before installing this product, read the Öhlins Owner's Manual. The shock absorber is an important part of your vehicle and will affect the stability.

Shock Absorber for Zontest 350E

ZO 433

Mounting Instructions

MOUNTING INSTRUCTIONS

⚠ Warning!

It is advisable to have an Öhlins dealer install the shock absorber.

⚠ Warning!

If working on a raised vehicle, ensure it is securely supported so that it will not tip over.

👁 Note!

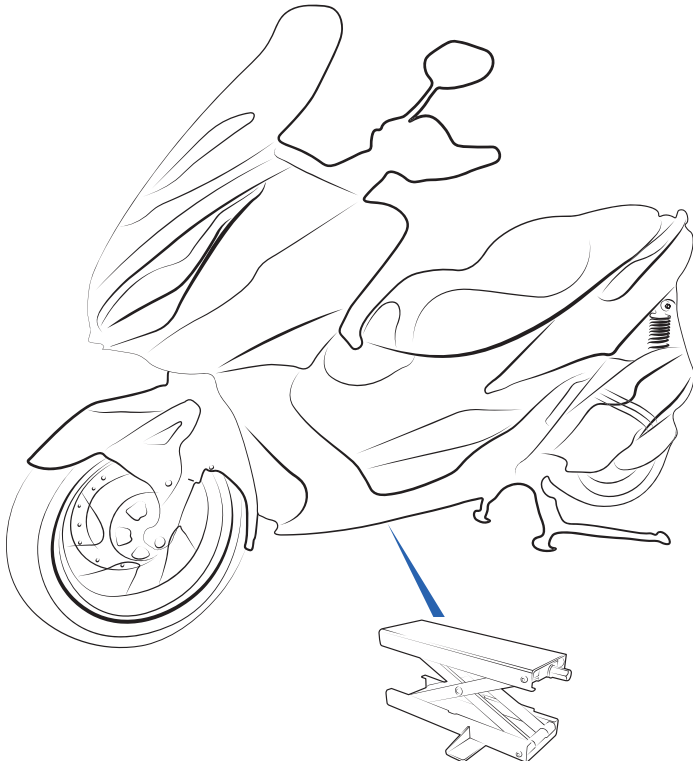
Before mounting this product clean the vehicle thoroughly.

👁 Note!

When working on this product, always see the Vehicle Service Manual for vehicle specific procedures and important data.

1

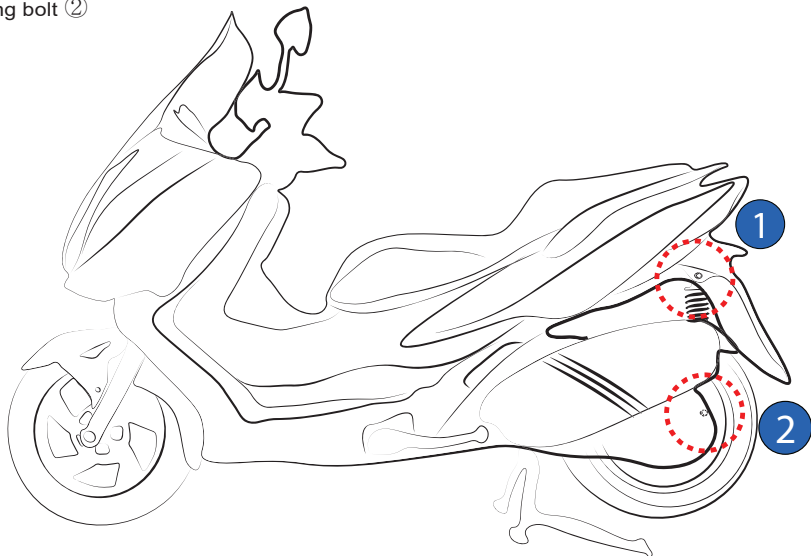
Put the motorcycle on the work stand so that the rear wheel barely touches the ground. Make sure the motorcycle is in a stable position.



MOUNTING INSTRUCTIONS

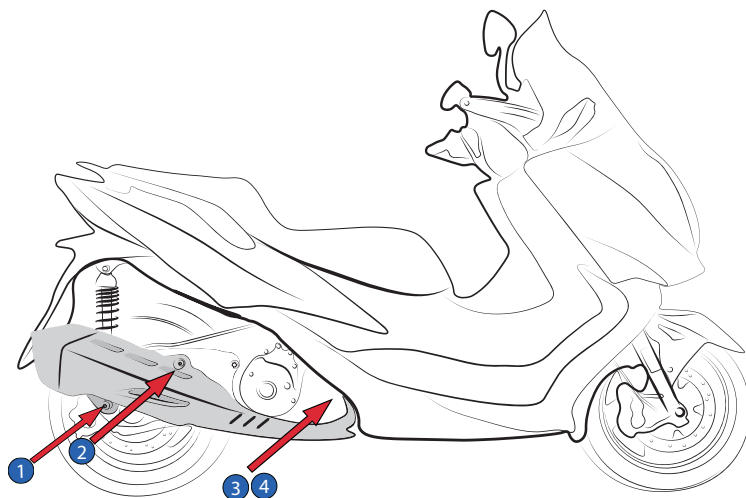
2

Remove the standard shock absorber by loosening the upper mounting bolt ① and the lower mounting bolt ②



3

On the right side : Remove the exhaust muffler by loosening the screws ①②③④ in order to access the right side shock absorber lower mounting screw.



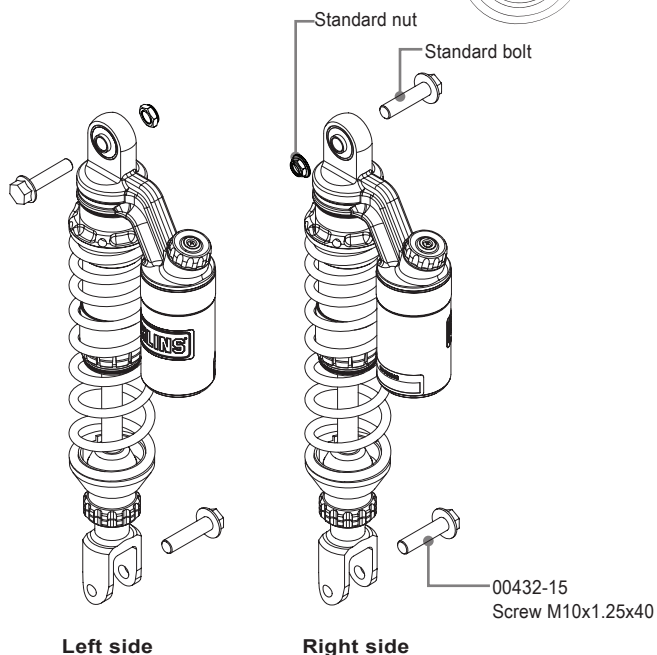
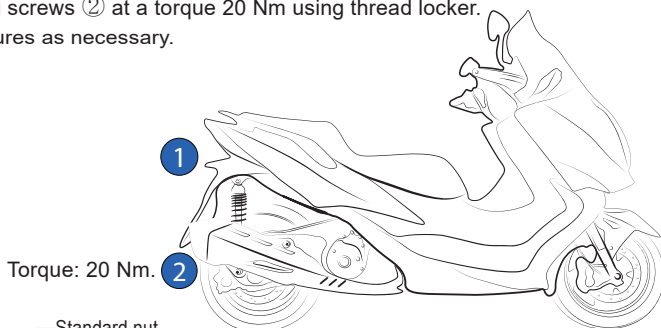
MOUNTING INSTRUCTIONS

4

Install the Öhlins shock absorber according to diagram P1

Tighten the upper mounting nuts ① at a torque value as specified in the vehicle service manual and the lower mounting screws ② at a torque 20 Nm using thread locker.

Reverse all the procedures as necessary.



P1

Note!

Lower the vehicle so that the suspension is slightly compressed before tightening the screws.

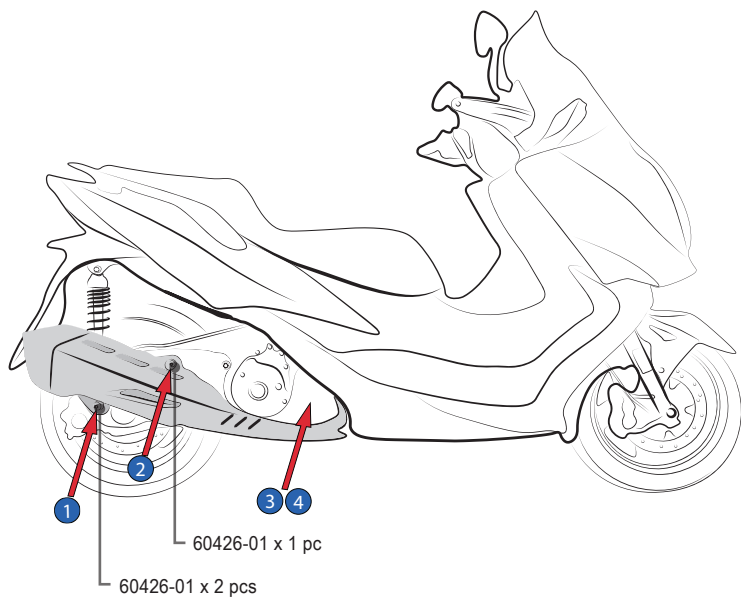
Caution!

Ensure that all screws are tightened to the correct torque and that nothing fouls or restricts movement of the shock absorber when the suspension is fully compressed or extended.

MOUNTING INSTRUCTIONS

5

Install the washer 60426-01_10.5/20/2 between the exhaust muffler and swingarm according to picture below.



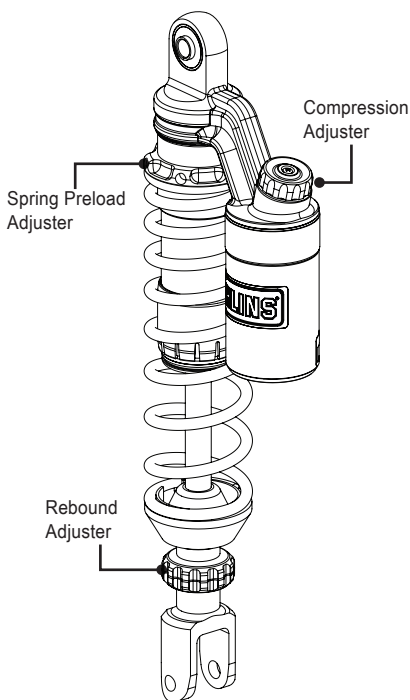
This page intentionally left blank

This page intentionally left blank

ADJUSTMENTS

⚠ Warning!

Before riding, always make sure that the basic settings made by Öhlins are according to recommended Set-up Data. Read about adjustments and setting up in the Öhlins Owner's Manual before you make any adjustments. Contact an Öhlins dealer if you have any questions about setting up.



SET-UP DATA

Recommended set-up

Spring Preload..... 5 mm.
 Rebound adjuster 14 Clicks
 Compression adjuster..... 16 Clicks

Shock absorber data

Length 367.5 mm.
 Stroke 97.5 mm.

Spring	Installed Spring	Alternative Spring
Part No	60360-02	66520-016
Free spring length...	200 mm	200 mm
Spring rate.....	12-18 N/mm	16 N/mm
Preload adj.range....	[3-17] mm	[3-17] mm
For rider's weight	Below 90 kg	Above 90 kg

👁 Öhlins products are subject to continuous improvement and development, therefore, although these instructions include the most up-to-date information available at the time of printing, minor updates may occur.

To find the latest information contact an Öhlins distributor. Please contact Öhlins if you have any questions regarding the contents in this document.

Part no. MI_ZO 433_EN_0
 Issued 2024-03-27

© Öhlins Asia Co. Ltd. All rights reserved. Any reprinting or unauthorized use without the written permission of Öhlins Racing AB is prohibited.

Öhlins Asia Co. Ltd
 700/937 Moo5, Tambol Nongkhaga,
 Amphur Phantong, Chonburi Province
 20160 Thailand



www.ohlins.com