

Note!

Before installing this product, check the contents of the kit. If anything is missing, please contact an Öhlins dealer

Kit Contents

| Description | Part No | Pcs |
|----------------------------|----------|-----|
| Shock absorber | HO 343 | 2 |
| Washer | 63118-14 | 2 |
| Sticker Set | 10207-01 | 1 |
| Tool preload adjuster | 03199-03 | 1 |
| Owners manual road & track | 07241-02 | 1 |

Note!

Please note that this image is a general representation of the product and may differ slightly from your product.

Note!

Please note that during storage and transportation, especially at high ambient temperature, some of the oil and grease used for assembling may leak and stain the packaging. This is in no way detrimental to the product, wipe off the excessive oil/grease with a cloth.

Warning!

Before installing this product, read the Öhlins Owner's Manual. The shock absorber is an important part of your vehicle and will affect the stability.

Shock Absorber for Honda Wave 125i 2023

HO 343

Mounting Instructions

Note!

The rear mudguard needs to be modified or exchanged.

Note!

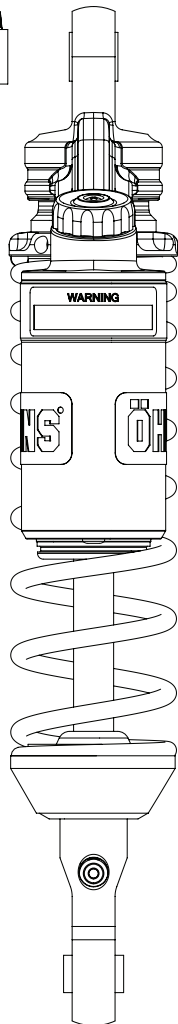
For installation on Wave 125i(THAILAND) the chain guard needs to be modified or exchanged.



MOUNTING INSTRUCTIONS

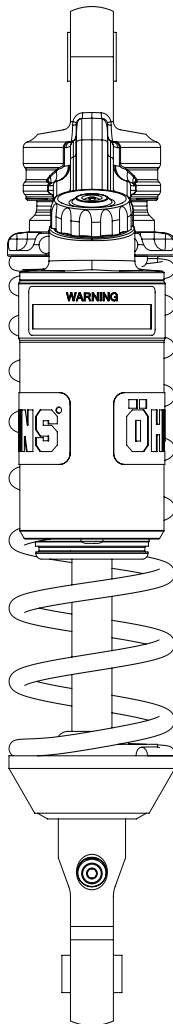
Shock Absorber installing diagram

Washer
63118-14



Left side

Washer
63118-14



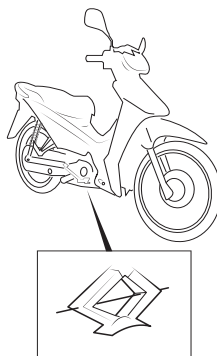
Right side

MOUNTING INSTRUCTIONS

HONDA Wave 125i

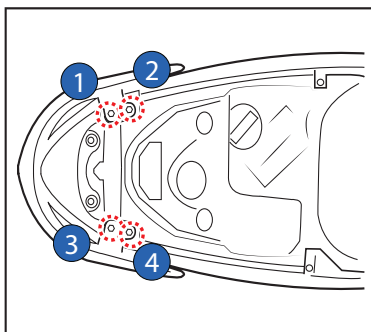
1

Put the motorcycle on center stand so that the rear wheel barely touches the ground. Make sure the motorcycle is in a stable position.



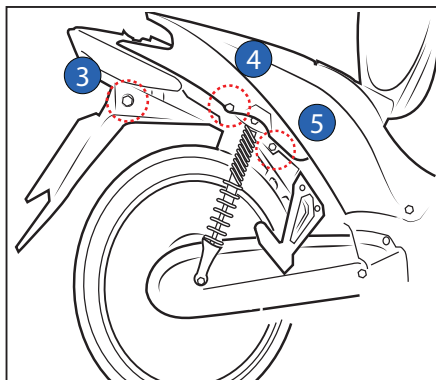
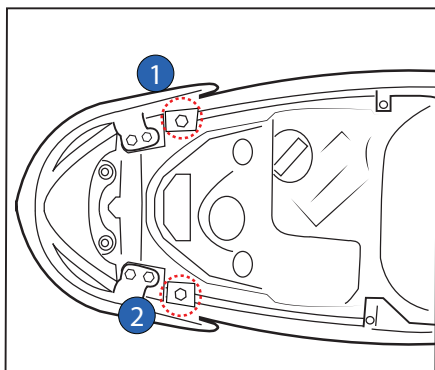
2

Open the seat and remove the grab bar by loosening the four bolts (1)(2)(3)(4).



3

Loosening 8 screws (1), (2), and (3), (4), (5) including opposite side, in order to remove the fairing.

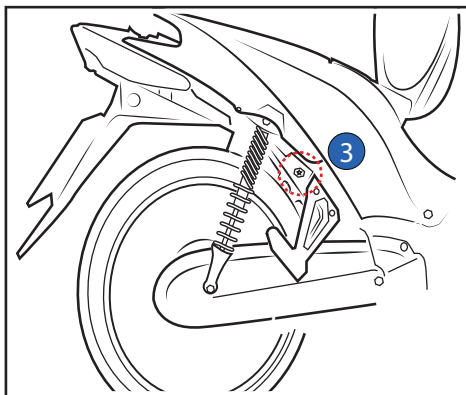
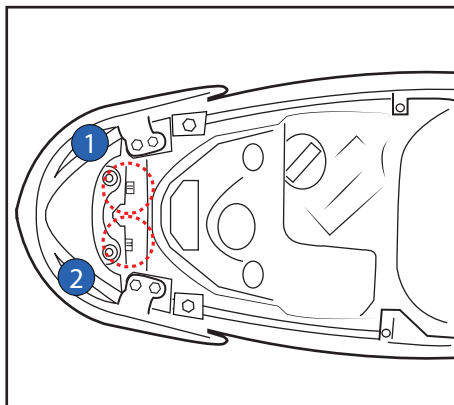


MOUNTING INSTRUCTIONS

4

Remove the rear mudguard, by loosening 3 screws

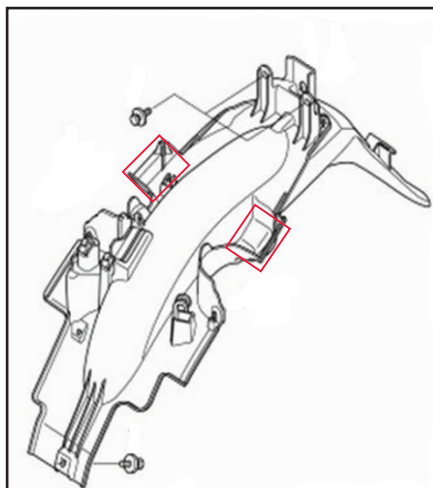
- screws (1), (2) are accessed from the top
- screw (3) is underneath



5

Modify the rear mudguard by cutting to make more space for easy installation the ÖHLINS shock absorber

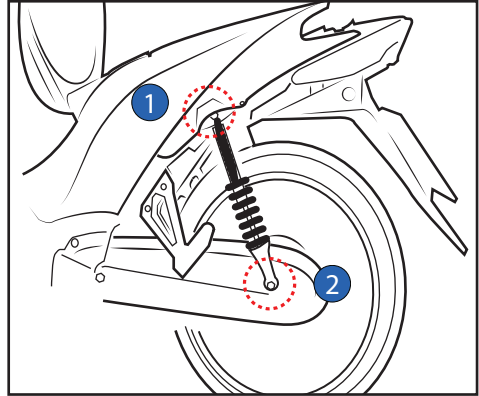
Cutting dimensions : approx. 40mm x 60mm



MOUNTING INSTRUCTIONS

6

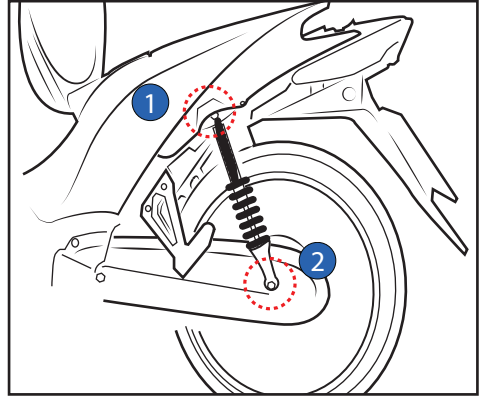
Remove the chain guard in order to uninstall the standard shock absorber by loosening the upper and lower mounting bolts (1), (2)



7

Install the Öhlins shock absorber according to installing diagram then mount the upper and lower bolts (1)(2)

Tighten the upper and lower mounting at the specific torque value as per Honda service manual and reverse all procedure.



Note!

Lower the vehicle so that the suspension is slightly compressed before tightening the screws.

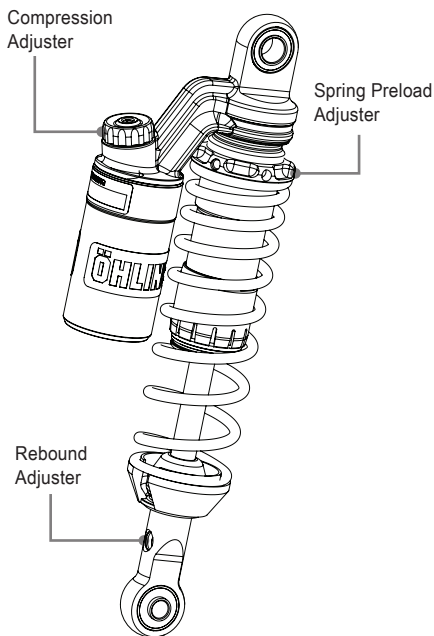
Caution!

Ensure that all screws are tightened to the correct torque and that nothing fouls or restricts movement of the shock absorber when the suspension is fully compressed or extended.

ADJUSTMENTS

⚠ Warning!

Before riding, always make sure that the basic settings made by Öhlins are according to recommended Set-up Data. Read about adjustments and setting up in the Öhlins Owner's Manual before you make any adjustments. Contact an Öhlins dealer if you have any questions about setting up.



SET-UP DATA

Recommended set-up

Spring Preload 6 mm
Rebound adjuster 20 Clicks
Compression adjuster... 18 Clicks

Spring

Part No 60240-02
Free spring length 180 mm
Spring rate..... Progressive 11-15 N/mm
Preload adj.range..... [0-23.5] mm

Shock absorber data

Length 319.5 mm
Stroke 84.5 mm

👁 Öhlins products are subject to continuous improvement and development, therefore, although these instructions include the most up-to-date information available at the time of printing, minor updates may occur.

To find the latest information contact an Öhlins distributor. Please contact Öhlins if you have any questions regarding the contents in this document.

Part no. MI_HO343 EN_0
Issued 2023-11-20

© Öhlins Asia Co. Ltd. All rights reserved. Any reprinting or unauthorized use without the written permission of Öhlins Asia Co.,Ltd is prohibited.

Öhlins Asia Co. Ltd
700/937 Moo5, Tambol Nongkhaka,
Amphur Phantong, Chonburi Province
20160 Thailand



www.ohlins.com