

### 👁 **Note!**

*Before installing this product, check the contents of the kit. If anything is missing, please check an Öhlins dealer.*

### **Kit Contents**

<b>Description</b>	<b>Part No</b>	<b>Pcs</b>
Shock absorber	IJ 201	1
C-spanner S36	60710-01	2
Sticker set "ÖHLINS"	10207-01	1
Owners manual	07241-02	1

### 👁 **Note!**

*Please note that this image is a general representation of the product and may differ slightly from your product.*

### 👁 **Note!**

*Please note that during storage and transportation, especially at high ambient temperature, some of the oil and grease used for assembling may leak and stain the packaging. This is in no way detrimental to the product, wipe off the excessive oil/grease with a cloth.*

### ⚠ **Warning!**

*Before installing this product, read the Öhlins Owner's Manual. The shock absorber is an important part of your vehicle and will affect the stability.*

## **Shock Absorber for Italjet Dragster 200 - Front**

# **IJ 201**

## **Mounting Instructions**

# MOUNTING INSTRUCTIONS

## **⚠ Warning!**

*It is advisable to have an Öhlins dealer install the shock absorber.*

## **⚠ Warning!**

*If working on a raised vehicle, ensure it is securely supported so that it will not tip over.*

## **👁 Note!**

*Before mounting this product clean the vehicle thoroughly.*

## **👁 Note!**

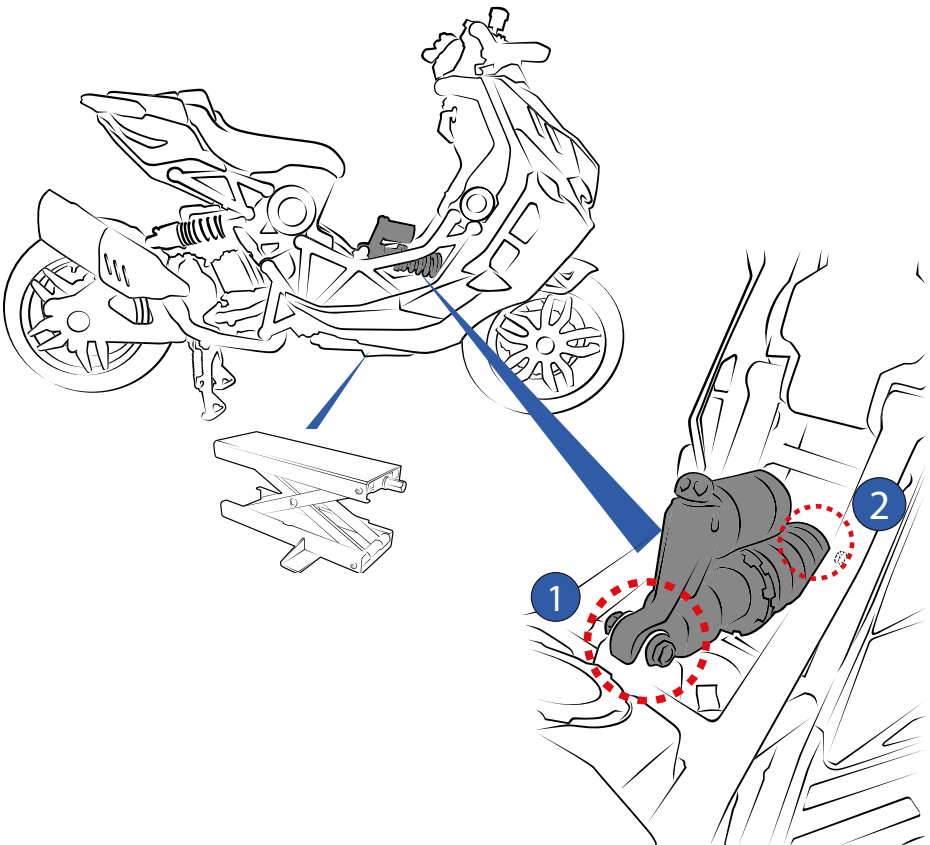
*When working on this product, always see the Vehicle Service Manual for vehicle specific procedures and important data.*

**1**

Put the motorcycle on the work stand so that the rear wheel barely touches the ground. Make sure the motorcycle is in a stable position.

**2**

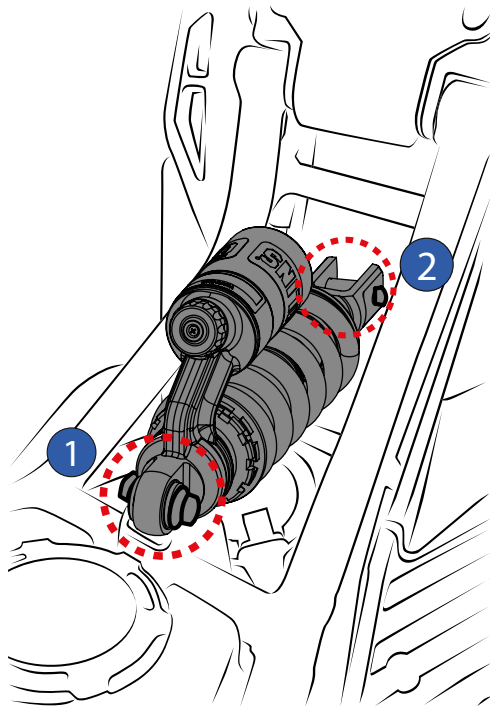
Remove the standard shock absorber by loosening the upper mounting bolt ① and the lower mounting bolt ②



# MOUNTING INSTRUCTIONS

3

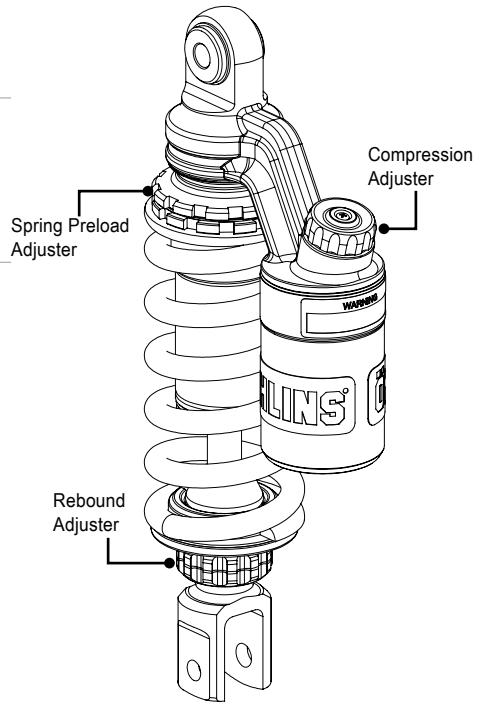
Install Öhlins shock absorber by tightening the upper mounting nut ① and the lower mounting bolt ② the torque value specified in the vehicle service manual.



# ADJUSTMENTS

## **⚠ Warning!**

Before riding, always make sure that the basic settings made by Öhlins are according to recommended Set-up Data. Read about adjustments and setting up in the Öhlins Owner's Manual before you make any adjustments. Contact an Öhlins dealer if you have any questions about setting up.



# SET-UP DATA

## **Recommended set-up**

Spring Preload.....	18 mm.
Rebound adjuster .....	8 Clicks
Compression adjuster.....	20 Clicks

## **Shock absorber data**

Length .....	270 mm.
Stroke .....	40 mm.

## **Spring**

Part No .....	60282-03
Free spring length...	155 mm
Spring rate.....	90 N/mm
Preload adj.range....	[16-30] mm

👁 Öhlins products are subject to continuous improvement and development, therefore, although these instructions include the most up-to-date information available at the time of printing, minor updates may occur.

To find the latest information contact an Öhlins distributor. Please contact Öhlins if you have any questions regarding the contents in this document.

Part no. MI\_IJ 201\_EN\_0  
Issued 2023-09-11

© Öhlins Asia Co. Ltd. All rights reserved. Any reprinting or unauthorized use without the written permission of Öhlins Racing AB is prohibited.

Öhlins Asia Co. Ltd  
700/937 Moo5, Tambol Nongkhaga,  
Amphur Phantong, Chonburi Province  
20160 Thailand



[www.ohlins.com](http://www.ohlins.com)