

Note!

This product should not be used together with the BMW DDC system. This product should only be used together with non-electric units.

For race use, this product is possible to fit to a DDC bike, but since the DDC front fork does not function correctly when the DDC shock absorber is disconnected an Öhlins cartridge kit or complete front fork is recommended.

Kit Contents

Description	Part No	Pcs
Shock absorber	BM468	1
Sticker Memo notes	01180-01	1
Sticker set Öhlins		1
Owner's manual	07242-07	1

Note!

Please note that there can be small differences between your product and the images in these instructions.

Note!

Please note that during storage and transport, especially at high ambient temperature, some of the oil and grease used for assembly may leak and stain the packaging. This will not cause damage to the product, wipe off the excessive oil or grease with a cloth.

Note!

Before you install this product, check the kit contents. If anything is missing, please contact an Öhlins dealer.

Warning!

Before you install this product, read the Öhlins Owner's manual. This product is an important part of the vehicle and the vehicle stability.

Shock absorber for BMW S1000RR

BM 468

Mounting Instructions

MOUNTING INSTRUCTIONS

⚠ Warning!

We strongly recommend to let an Öhlins dealer install this product.

⚠ Warning!

If you work with a lifted vehicle, make sure that it is safely supported to prevent it from tipping over.

👁 Note!

When you work with this product, see the vehicle service manual for vehicle specific procedures and important data.

👁 Note!

Before you install this product clean the vehicle.

1

Put the motorcycle on a work stand so that the rear wheel barely touches the ground.

2

Remove the seat and the plastic covers around the fuel tank.

3

Loosen the fuel tank and, lift the rear about 100 mm.

4

Loosen the rear brake fluid reservoir, and the screw to the exhaust servo motor.

5

Loosen the 4 mounting bolts for the rear sub frame. Remove the lower bolts so that you can lift the sub frame when you remove and install the shock absorber.

6 (DDC model only)

Disconnect the electrical connectors for the standard unit. Protect the open connectors from water and dirt.

7

Loosen the lower and upper attachment bolts to remove the original shock absorber. You may need to loosen the bolt that connects the pull rods and the triangle link to get access to the lower shock absorber bolt.

👁 Caution!

Carefully lift the rear sub frame to avoid damage to the hoses or wire harnesses when you remove and install the shock absorber.

8 (DDC model only)

Remove the lever rod for the stroke sensor on the swing arm. This is to make sure that there is room for the Öhlins shock absorber.

9 (DDC model only)

Put the plastic angular lever as high up as possible, attach with a tie rap. Do not disconnect the sensor.

10

Install the Öhlins shock absorber in the same position as the original shock absorber.

👁 Note!

Install the upper height adjustment inserts in the same position as they were for the original shock absorber. Bolt holes in the lower position.

11

Install all removed parts in the same positions as they were before removal.

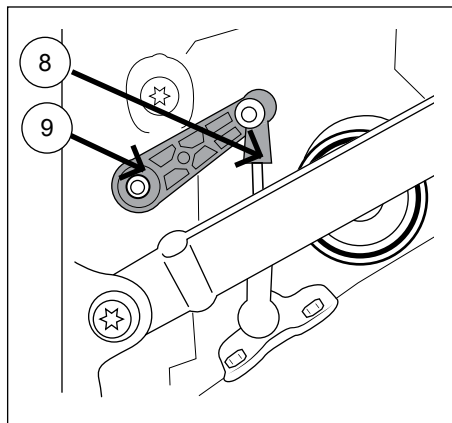
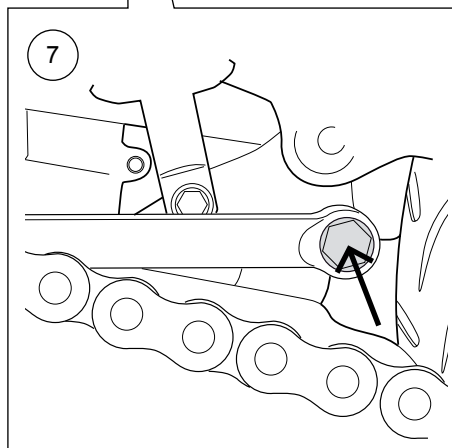
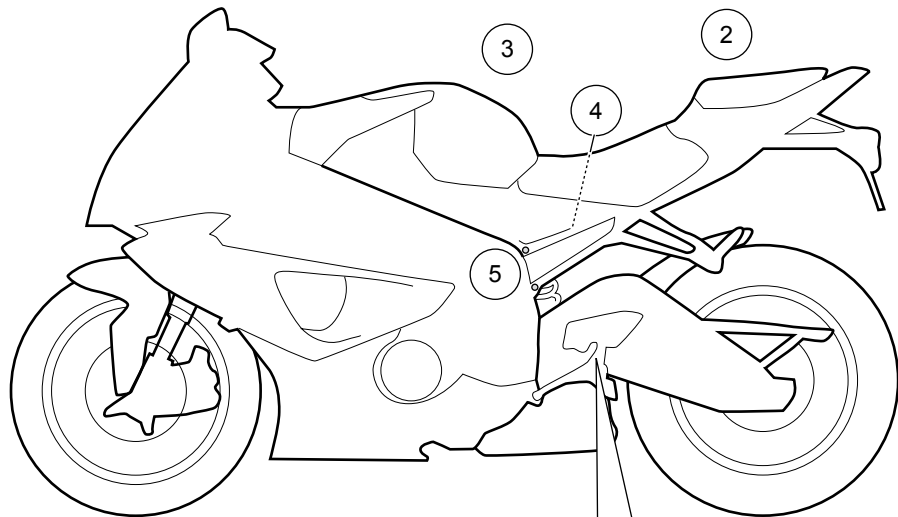
👁 Note!

Lower the vehicle so that the suspension is slightly compressed before you tighten the screws.

👁 Caution!

Make sure that you tighten all screws to the correct torque and that nothing fouls or restricts movement of the shock absorber/front fork/steering damper when the suspension is fully compressed or extended.

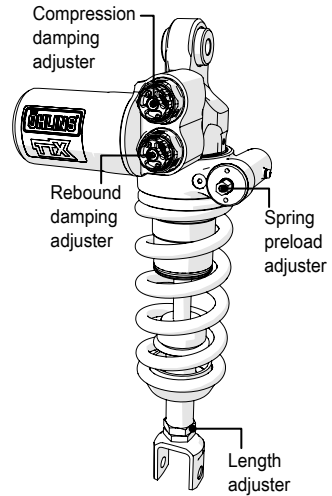
MOUNTING INSTRUCTIONS



ADJUSTMENTS

⚠ Warning!

Before you ride/drive, always make sure that the setup is according to the recommended setup data. Read about adjustments and setting up in the Öhlins Owner's Manual before you make any adjustments. Contact an Öhlins dealer if you have any questions about setting up.



SETUP DATA

Length	353 +6/0	mm
Stroke	62	mm
Rebound	16	clicks
Compression	13	clicks
Spring preload	13	mm
Spring	21040-26	
Spring rate	85	N/mm
Spring free length	160	mm

Recommended sag and ride height		
R1-R3	35	mm
F1-F3	39	mm

Öhlins products are subject to continuous improvement and development, therefore, although these instructions include the most up-to-date information available at the time of printing, minor updates may occur.

To find the latest information contact an Öhlins distributor. Please contact Öhlins if you have any questions regarding the contents in this document.

Part no. MI_BM468_0
Issued 2017-10-31

© Öhlins Racing AB. All rights reserved. Any reprinting or unauthorized use without the written permission of Öhlins Racing AB is prohibited.

Öhlins Racing AB
Box 722
S-194 27 Upplands Väsby, Sweden
Phone +46 8 590 025 00
fax +46 8 590 025 80



www.ohlins.com