



Kit Contents			
	Description	Part No	Pcs
1.1	Shock absorber left	BMS 1I10	1
1.2	Shock absorber right	BMS 2I10	1
2	Top pin nut M14	04753-05	2
3	Top mount	25633-11	2
4	Top mount spacer 14.5/20	05688-09	2
5	Upper spring seat	24637-02	2
6	Dust boot	10216-01	2
7	Spring	47000-15	2
Used for both front and rear			
8	C-spanner	24639-01	1
9	C-spanner	24639-04	1
10	Öhlins sticker	10207-01	1
11	Öhlins Owner's Manual	07451-01	1

👁 Note!

Please note that there can be small differences between your product and the images in these instructions.

👁 Note!

Please note that during storage and transport, especially at high ambient temperature, some of the oil and grease used for assembly may leak and stain the packaging. This will not cause damage to the product, wipe off the excessive oil or grease with a cloth.

👁 Note!

Before you install this product, check the kit contents. If anything is missing, please contact an Öhlins dealer.

⚠ Warning!

Before you install this product, read the Öhlins Owner's manual. This product is an important part of the vehicle and the vehicle stability.

Shock absorber for Mini Cooper S and JCW (R50/R52/R53)

BMS MI10S1 front

Mounting Instructions



ÖHLINS

MOUNTING INSTRUCTIONS

⚠ Warning!

We strongly recommend to let an Öhlins dealer install this product.

⚠ Warning!

If you work with a lifted vehicle, make sure that it is safely supported to prevent it from tipping over.

👁 Note!

When you work with this product, see the vehicle service manual for vehicle specific procedures and important data.

👁 Note!

Before you install this product clean the vehicle.

1

Raise the vehicle and put it on jack stands.

⚠ Warning!

Ensure that it is securely supported.

2

Remove the front wheels.

3

Remove the stabilizer links, the brake hoses and the ABS cords from the standard struts.

4

Loosen the bolts for the lower strut attachments.

👁 Note!

Support the wheel hubs in an appropriate way on each side of the vehicle so that the brake hoses can not be damaged.

5

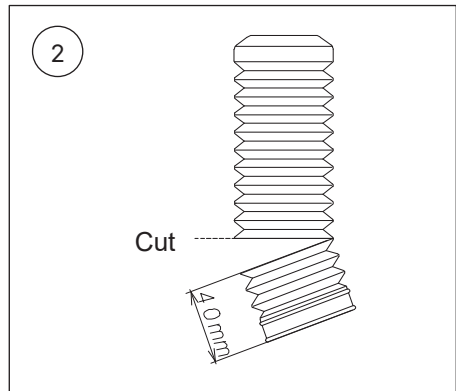
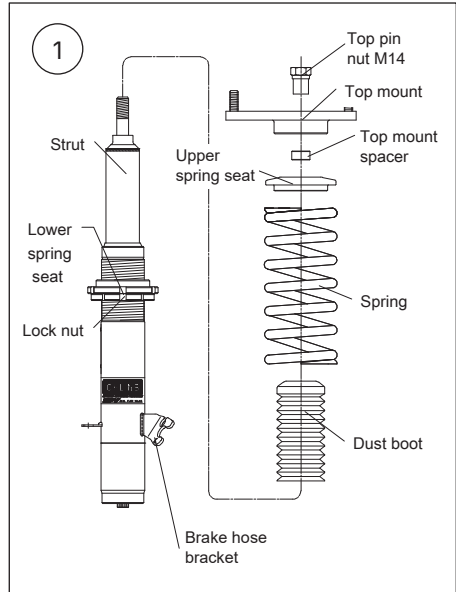
Loosen the upper attachments. Remove the original struts from the car.

6

Cut the dust boot 40 mm from the lower end with a pair of scissors according to fig 2.

7

Tighten the lower spring seat and the lock nut to 50 - 60 Nm. Fit the dust boot, the spring and the upper spring seat to the strut according to fig 1. Fit the lower bearing spacer, the top mount and the top nut. Tighten the top nut to 35 - 40 Nm. Refer to fig 3 when using the standard top mount.



👁 Note!

When tightening the top mount nut, the shock absorber shaft must be held in position with a 5 mm Allen key.

8

Set the spring preload according to fig 5. Tighten the lower spring seat and lock nut to 50-60Nm.

9

Install the Öhlins McPherson struts on the vehicle.

MOUNTING INSTRUCTIONS

10

Mount the standard stabilizer links, the standard brake hoses and the standard ABS cords to the Öhlins struts according to fig 4.

11

Fasten the upper attachments.

12

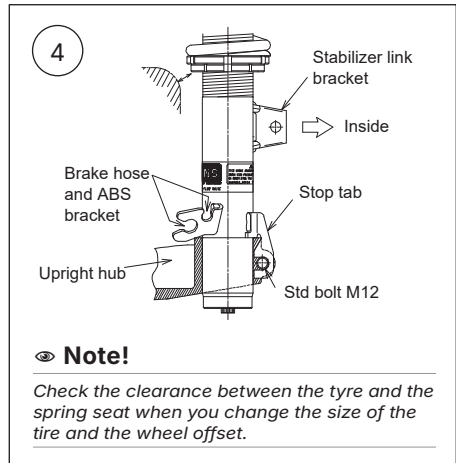
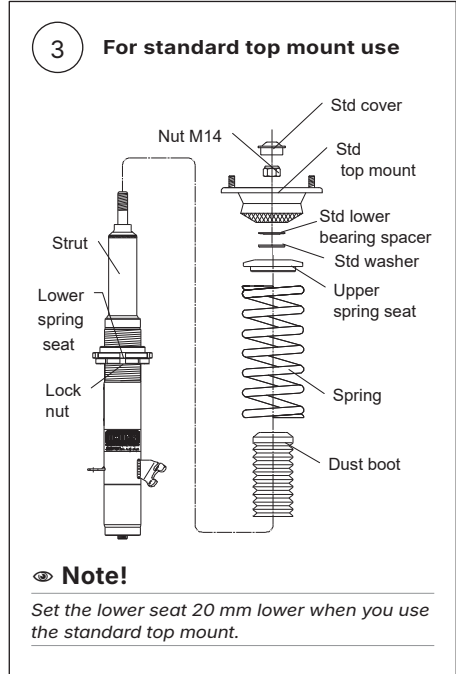
Raise the wheel hub with a jack to remove the freeplay of the lower strut attachment bolts before tightening them.

👁 **Note!**

Make sure that all bolts are tightened to the correct torque and that nothing fouls or restricts movement of the strut when it is being fully compressed or extended. Test this over the whole steering range from lock to lock.

13

Make sure that all removed parts are reinstalled in the same way as they were before the installation of the Öhlins shock absorber.



ADJUSTMENTS

⚠ Warning!

Before you ride/drive, always make sure that the setup is according to the recommended setup data. Read about adjustments and setting up in the Öhlins Owner's Manual before you make any adjustments. Contact an Öhlins dealer if you have any questions about setting up.

The standard preload is 10 mm from a free length of 180 mm, giving 170 mm installed length, see fig 5.

SETUP DATA

Recommended setup

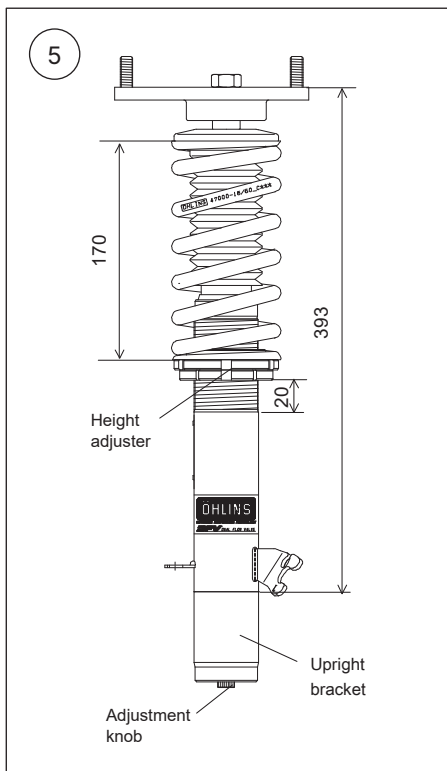
Setting adjustment		
Track	0-7	clicks
Winding road	5-10	clicks
Street	10-20	clicks
Spring preload	10	mm

Recommended spring

47000-15 (60 N/mm)

Vehicle height adjustment range

With the preload in its recommended position, the vehicle is lowered approximately 20 mm when compared to the original suspension. The spring preload adjustment range is 2-20 mm. Giving approximately 10-30 mm lower ride height of the car.



Öhlins products are subject to continuous improvement and development, therefore, although these instructions include the most up-to-date information available at the time of printing, minor updates may occur.

To find the latest information contact an Öhlins distributor. Please contact Öhlins if you have any questions regarding the contents in this document.

Part no. MI_BMS MI10S1_0
Issued 2025-12-16

© Öhlins Group AB. All rights reserved. Any reprinting or unauthorized use without the written permission of Öhlins Group AB is prohibited.

Öhlins Group AB
Box 722
S-194 27 Upplands Väsby, Sweden
Phone +46 8 590 025 00
fax +46 8 590 025 80





Kit Contents

	Description	Part No	Pcs
1.1	Shock absorber left	BMS 3I10	1
1.2	Shock absorber right	BMS 4I10	1
2	Dust boot	10216-01	2
3	Upper spring seat	24637-03	2
4	Spring	47010-11	2
5	Spacer Ø60, t7	25618-06	2
6	Top pin spacer	24629-18	2
7	Nylon lock nut M12	24627-02	2
8	Washer t3.2	24619-10	2

👁 Note!

Please note that there can be small differences between your product and the images in these instructions.

👁 Note!

Please note that during storage and transport, especially at high ambient temperature, some of the oil and grease used for assembly may leak and stain the packaging. This will not cause damage to the product, wipe off the excessive oil or grease with a cloth.

👁 Note!

Before you install this product, check the kit contents. If anything is missing, please contact an Öhlins dealer.

⚠ Warning!

Before you install this product, read the Öhlins Owner's manual. This product is an important part of the vehicle and the vehicle stability.

Shock absorber for Mini Cooper S and JCW (R50/R52/R53)

BMS MI10S1 rear

Mounting Instructions



ÖHLINS

MOUNTING INSTRUCTIONS

⚠ Warning!

We strongly recommend to let an Öhlins dealer install this product.

⚠ Warning!

If you work with a lifted vehicle, make sure that it is safely supported to prevent it from tipping over.

👁 Note!

When you work with this product, see the vehicle service manual for vehicle specific procedures and important data.

👁 Note!

Before you install this product clean the vehicle.

1

Raise the vehicle and put it on jack stands.

2

Remove the rear wheels.

3

Remove the lower and the upper attachments and remove the original shock absorbers.

4

Cut the dust boot 52 mm from the lower end with a pair of scissors according to fig 2.

5

Fit the dust boot, the spring, the upper spring seat, the spacers and the std top mount according to fig 1. Tighten the M12 lock nut to 30 Nm.

👁 Note!

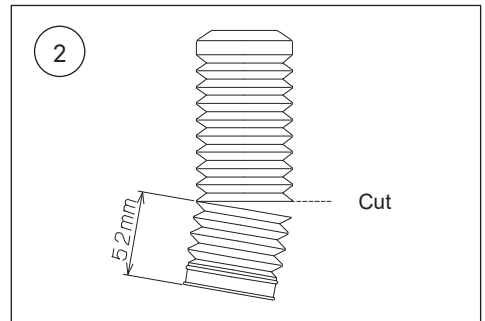
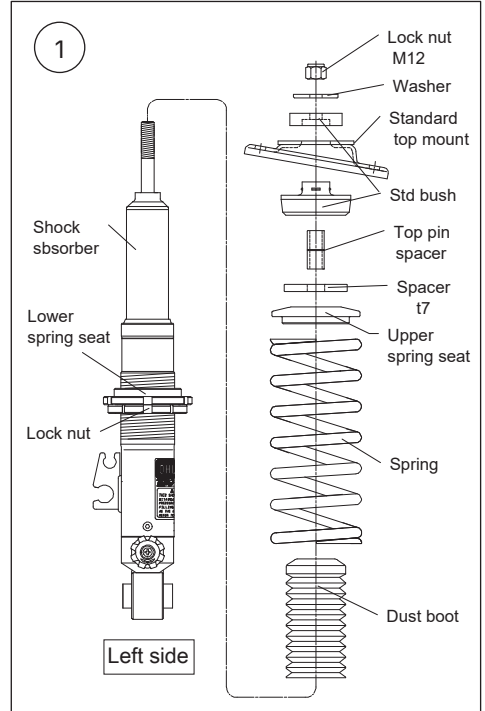
When tightening the top mount nut, the shock absorber shaft must be held in position with a 5 mm Allen key.

6

Set the spring preload according to figure 4. Tighten the lower spring seat and the lock nut to 50 - 60 Nm.

7

Install the Öhlins shock absorbers on the vehicle.



8

Fasten the upper attachments.

👁 Note!

Make sure that all bolts are tightened to the correct torque and that nothing fouls or restricts movement of the shock absorber when it is being fully compressed or extended.

MOUNTING INSTRUCTIONS

9

Make sure that all removed parts are reinstalled in the same way as they were before the installation of the Öhlins shock absorber.

